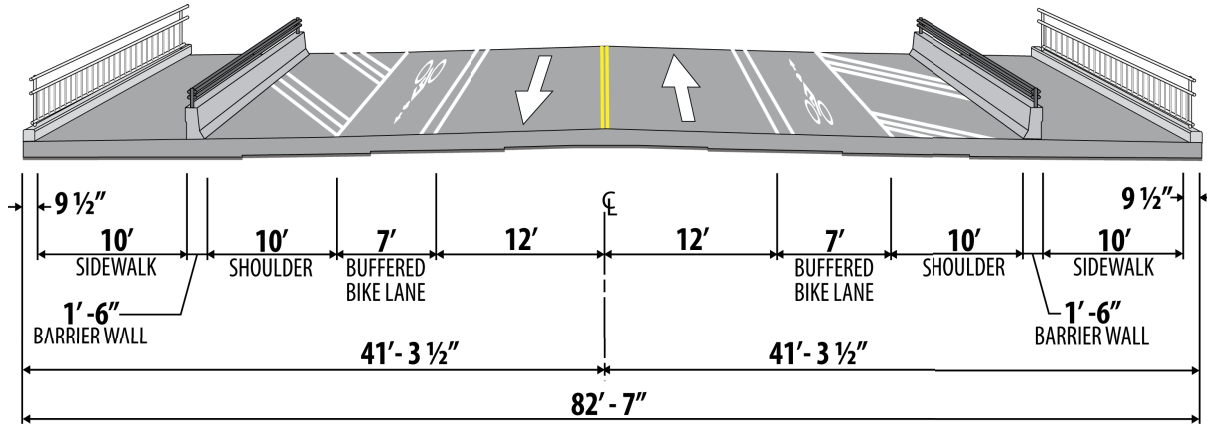


Updated Bridge Typical Section



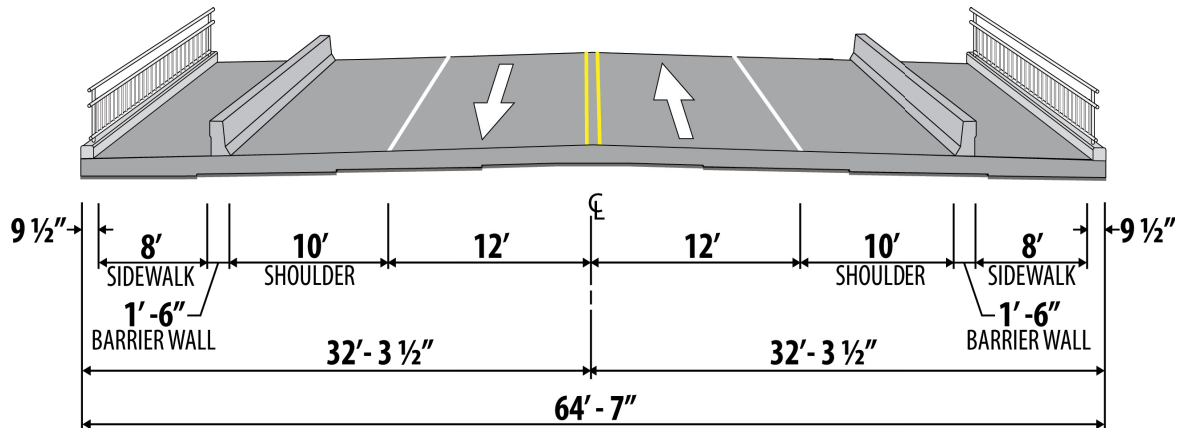
EVALUATION FACTORS Updated Two-Lane Alternatives	No-Build (Repair) (Note 1)	Northern Alignment		
		21-ft Bascule	35-ft Bascule	65-ft Fixed
Vertical/Horizontal Navigational Clearance at Fender when Bridge is in Closed Position (ft/ft)	17.5 / 90	21/100	35 / 100	65 / 100
Maximum Deck Elevation (difference)	26'-2"	32'-8" (+6'-6")	46'-5" (20'-3")	75'-0" (48'-10")
Life of Alternative (years)	10	75	75	75
Bridge Closure and Detour During Construction	9 weeks	N/A	N/A	N/A
Right-of-Way Impacts				
Parcels Impacted	0	0	0	4
Relocations - Road/Bridge (B/R = Business/Residential)	0	0/0	0/0	0/0
Relocations - Ponds (B/R = Business/Residential)	0	Varies 0 to 14R Depending on Recommended Pond Sites		
Additional Submerged Lands (ac)	0	1.74	1.74	1.74
Natural, Environmental and Physical Resource Involvement				
Species/Habitat (Potential Impacts)	None	Low	Low	Low
Potential Contamination Sites (high/medium risk)	0/0	0/1	0/1	0/1
Wetlands (ac) (landward)	0	0.00	0.00	0.00
Seagrasses (ac) (submerged)	0	0.03	0.03	0.03
Live Bottom (ac) (submerged)	0	1.11	1.11	1.11
Archaeological and Historic Sites	0	0	0	0
Potential Noise Sensitive Sites	0	17	17	21
Potential Section 4(f) Sites (Paddling trails)	2	2	2	2
Estimated Utility Impacts (North Alignment)				
Bright House Networks Manatee	None	Impacted	Impacted	Impacted
Florida Power & Light	None	Impacted	Impacted	Impacted
Verizon Florida Inc.	None	Impacted	Impacted	Impacted
Manatee Co. Transportation Dept.	None	Impacted	Impacted	Impacted
Manatee Co. Utility Operations	None	Impacted	Impacted	Impacted
TECO-Peoples Gas-Sarasota	None	None	None	None
Estimated Capital Costs (2016 Dollars)				
Design (10% of Total Construction)	\$892,825	\$9,163,888	\$9,040,391	\$6,698,169
Roadway Right-of-Way	\$0	\$16,000	\$16,000	\$2,748,000
Wetland & Seagrass Mitigation (Note 2)	\$0	\$3,454	\$3,454	\$3,454
Roadway Construction	\$289,211	\$1,464,248	\$1,464,281	\$2,890,671
Bridge Construction	\$8,639,037	\$90,174,627	\$88,939,632	\$64,091,020
CEI (10% of Total Construction)	\$892,825	\$9,163,888	\$9,040,391	\$6,698,169
Total Cost (not including Pond Right-of-Way)	\$10,713,898	\$109,986,104	\$108,504,150	\$83,129,483
Stormwater Management Facility Right-of-Way	\$0	Varies \$256,000 - \$8,585,000	Varies \$256,000 - \$8,585,000	Varies \$256,000 - \$8,854,000

Notes:

(1): Repairs include replacement of all concrete beams, deck and traffic railing on six spans; installing cathodic protection pile jackets, repairing the concrete (sealing cracks, patching spalls, etc.) in the piles, pile caps, deck, beams, and traffic railing; repairing the fender system; repairing the bascule span operational machinery; upgrading the bascule electrical systems; paint; and repairing the bascule span aluminum and steel in order to extend the service life 10 years. Costs do not include annual maintenance and operating costs.

(2): Wetland and seagrass mitigation calculated at \$115,131/acre per Sect. 373.4173 (3)(e) F.S.

Original Bridge Typical Section



EVALUATION FACTORS	North Alignment		
	Low-Level Bascule	Mid-Level Bascule	High-Level Fixed
Original Two-Lane Alternatives			
Navigational Clearance at Fender when Bridge is in Closed Position:	21 ft	45 ft	65 ft
Life of Alternative (years)	75	75	75
Right-of-Way Impacts			
Parcels Impacted	0	0	4
Relocations	0	0	0
Additional Submerged Lands (ac)	0.21	0.21	0.21
Natural, Environmental and Physical Resource Involvement			
Species/Habitat (Potential Impacts)	Low	Low	Low
Potential Contamination Sites (high/medium risk)	0/1	0/1	0/1
Wetlands (ac) (landward)	0.00	0.00	0.00
Seagrasses (ac) (submerged)	0.01	0.01	0.01
Archaeological and Historic Sites	0	0	0
Potential Noise Sensitive Sites	17	17	21
Potential Section 4(f) Sites (Paddling trails)	2	2	2
Bridge Closure and Detour During Construction	0	0	0
Estimated Utility Impacts			
Bright House Networks Manatee	Impacted	Impacted	Impacted
Florida Power & Light	Impacted	Impacted	Impacted
Verizon Florida Inc.	Impacted	Impacted	Impacted
Manatee Co. Transportation Dept.	Impacted	Impacted	Impacted
Manatee Co. Utility Operations	Impacted	Impacted	Impacted
TECO-Peoples Gas-Sarasota	None	None	None
Estimated Capital Costs (2016 Dollars)			
Design (10% of Total Construction)	\$7,615,230	\$7,503,556	\$5,461,320
Roadway Right-of-Way	\$16,000	\$16,000	\$2,748,000
Wetland & Seagrass Mitigation (1)	\$107,572	\$107,572	\$107,572
Roadway Construction	\$1,464,737	\$1,464,780	\$2,892,141
Bridge Construction	\$74,687,565	\$73,570,776	\$51,721,054
CEI (10% of Total Construction)	\$7,615,230	\$7,503,556	\$5,461,320
Total Cost	\$91,506,334	\$90,166,239	\$68,391,406

Note:

Wetland and seagrass mitigation includes additional mitigation for Essential Fish Habitat, and assumes seagrass mitigation construction concurrent for this project and Anna Maria Bridge.